



V81

**APU**[®]

PROFILES FOR COMPOUND HEAT INSULATION SYSTEMS

Clip-on profile VHF-TOP-TEX

12 mm,
for back-ventilated rainscreens



For back-ventilated rainscreens the **APU clip-on profile VHF-TOP-TEX** is installed onto the top edge of the supporting board in the area of the parapet or under the window sill.

The profile has a punched plaster bar. Welded onto the bar is a fabric strip. Each bar has a fabric overhang on one side of 10cm in the lengthways direction. For improved hold, the rear limb is pre-tensioned. The soft, transparent drip edge can accurately guide water away.

What is created after completion of the plastering work is a clean termination of the plaster.



V81



Design

	ITEM NO.	LENGTH	PACKAGING UNIT	WEIGHT (per PU)
--	----------	--------	----------------	-----------------

Clip-on profile VHF-TOP-TEX 12 mm

V81

Soft, transparent drip edge and 12.5 cm mesh

V81-2012

2.0 m

25 bars = 50 m

8.4 kg

Features

CLIP-ON PROFILE VHF-TOP-TEX	
Material	<ul style="list-style-type: none"> ■ Rigid PVC manufactured under DIN-16941 ■ Soft PVC – transparent
Mesh	<ul style="list-style-type: none"> ■ Min. 160 g/m² approved for compound heat insulation systems ■ 12.5 cm wide – MW 4x4 mm ■ Ultrasonic welded

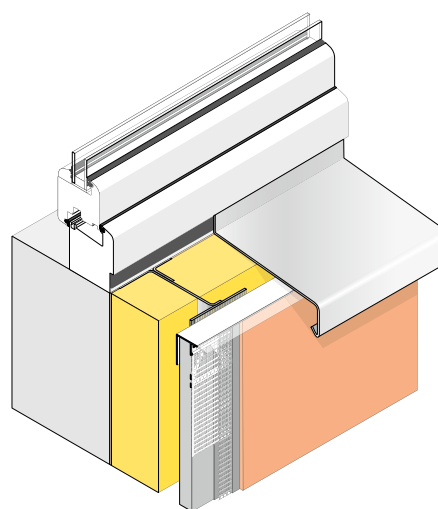
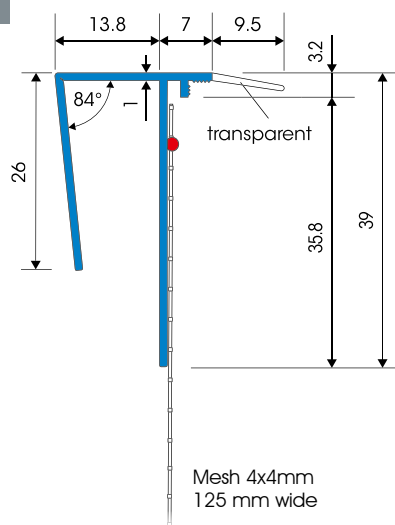
Important information

Storage	Always store profiles laid down in a dry place.
Other applications	Any applications not clearly described in the documents may be implemented only after consultation with the plaster or ETICS manufacturer.

For information on materials, areas of use, tests and correct application, please refer to our 'General Advice and Information'

Details

V81



Application drawing