



DECLARATION OF PERFORMANCE



DoP: 0130

for fischer Highbond-Anchor FHB II (Bonded anchor for use in concrete) – EN

1. Unique identification code of the product-type: **DoP: 0130**
2. Intended use/es: **Post-installed fastening in cracked or uncracked concrete, see appendix, especially Annexes B 1 to B 9**
3. Manufacturer: **fischerwerke GmbH & Co. KG, Klaus-Fischer-Straße 1, 72178 Waldachtal, Germany**
4. Authorised representative: --
5. System/s of AVCP: **1**
6. European Assessment Document: **ETAG 001; 2013-04**
European Technical Assessment: **ETA-05/0164; 2017-12-14**
Technical Assessment Body: **DIBt**
Notified body/ies: **1343 – MPA Darmstadt**

7. Declared performance/s:

Mechanical resistance and stability (BWR 1), Safety in use (BWR 4)

- **Characteristic resistance for tension and shear loads: See appendix, especially Annexes C 1 to C 4**
- **Displacements under shear and tension loads: See appendix, especially Annexes C 5 to C 6**

Safety in case of fire (BWR 2)

- **Reaction to fire: Anchorages satisfy requirements for Class A 1**
- **Resistance to fire: NPD**

8. Appropriate Technical Documentation and/or Specific Technical Documentation: ---

The performance of the product identified above is in conformity with the set of declared performance/s. This declaration of performance is issued, in accordance with Regulation (EU) No 305/2011, under the sole responsibility of the manufacturer identified above.

Signed for and on behalf of the manufacturer by:

Andreas Bucher, Dipl.-Ing.

Wolfgang Hengesbach, Dipl.-Ing., Dipl.-Wirtsch.-Ing.

Tumlingen, 2017-12-20

- This DoP has been prepared in different languages. In case there is a dispute on the interpretation the english version shall always prevail.
- The Appendix includes voluntary and complementary information in English language exceeding the (language-neutrally specified) legal requirements.

Specific Part

1 Technical description of the product

The fischer Highbond-Anchor FHB II is a torque controlled bonded anchor consisting of a mortar cartridge with mortar fischer FIS HB or fischer mortar capsule FHB II–P(F) and an anchor rod FHB II - A L or FHB II - A S with hexagon nut and washer.

The glass capsule is set into a drilled hole in the concrete. The special formed anchor rod is driven into the glass capsule by machine with simultaneous hammering and turning. For the injection system the anchor rod is placed into a drilled hole filled with injection mortar. The load transfer is realised by mechanical interlock of several cones in the bonding mortar and then via a combination of bonding and friction forces in the anchorage ground (concrete).

The product description is given in Annex A.

2 Specification of the intended use in accordance with the applicable European Assessment Document

The performances given in Section 3 are only valid if the anchor is used in compliance with the specifications and conditions given in Annex B.

The verifications and assessment methods on which this European Technical Assessment is based lead to the assumption of a working life of the anchor of at least 50 years. The indications given on the working life cannot be interpreted as a guarantee given by the producer, but are to be regarded only as a means for choosing the right products in relation to the expected economically reasonable working life of the works.

3 Performance of the product and references to the methods used for its assessment

3.1 Mechanical resistance and stability (BWR 1)

Essential characteristic	Performance
Characteristic values under tension and shear load	See Annex C 1 to C 4
Displacements under tension and shear loads	See Annex C 5 and C 6

3.2 Safety in case of fire (BWR 2)

Essential characteristic	Performance
Reaction to fire	Anchorage satisfy requirements for Class A1
Resistance to fire	No performance assessed

3.3 Hygiene, health and the environment (BWR 3)

Regarding dangerous substances there may be requirements (e.g. transposed European legislation and national laws, regulations and administrative provisions) applicable to the products falling within the scope of this European Technical Assessment. In order to meet the provisions of Regulation (EU) No 305/2011, these requirements need also to be complied with, when and where they apply.

3.4 Safety in use (BWR 4)

The essential characteristics regarding Safety in use are included under the Basic Works Requirement Mechanical resistance and stability.

4 Assessment and verification of constancy of performance (AVCP) system applied, with reference to its legal base

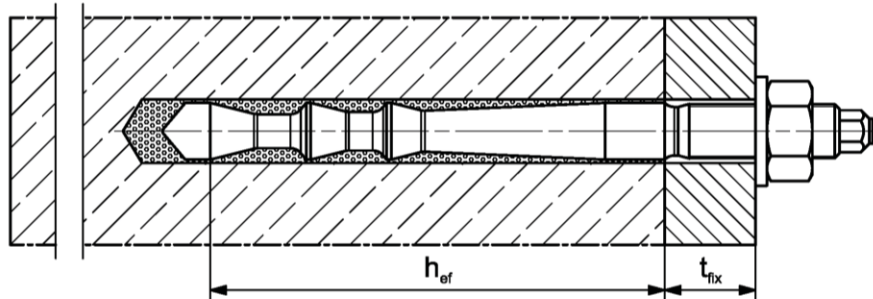
In accordance with guideline for European technical approval ETAG 001, April 2013, used as European Assessment Document (EAD) according to Article 66 Paragraph 3 of Regulation (EU) No 305/2011, the applicable European legal act is: [96/582/EC].

The system to be applied is: 1

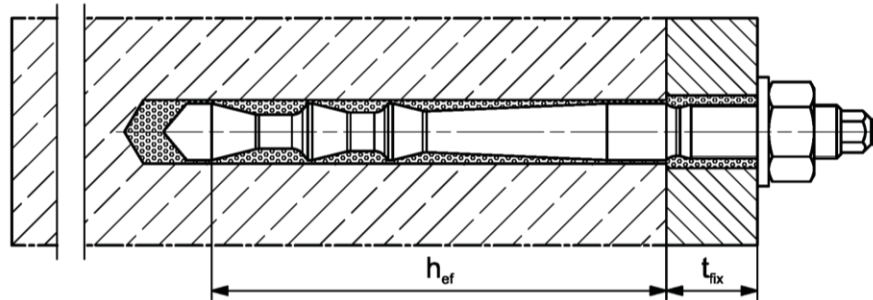
Installation conditions part 1

fischer Highbond - Anchor FHB II - A L

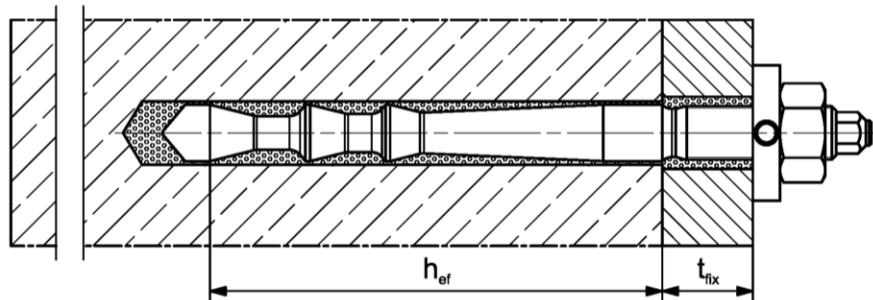
Pre-positioned installation



Push through installation not with mortar capsule (annular gap filled with mortar)



Pre-positioned or push through installation with subsequently pressed filling disk (annular gap filled with mortar)



Pictures not to scale

h_{ef} = effective anchorage depth

t_{fix} = thickness of fixture

fischer Highbond-Anchor FHB II

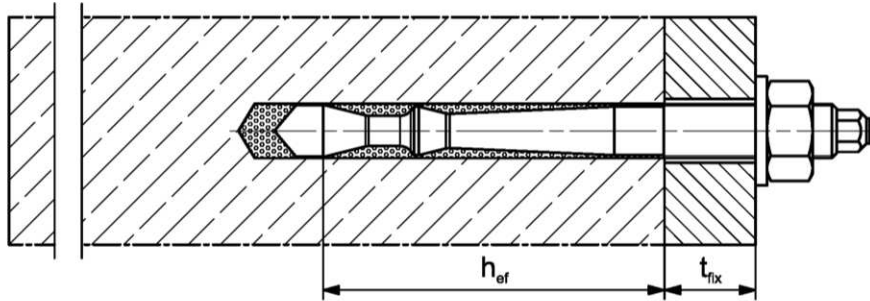
Product description
Installation conditions part 1; FHB II – A L

Annex A 1

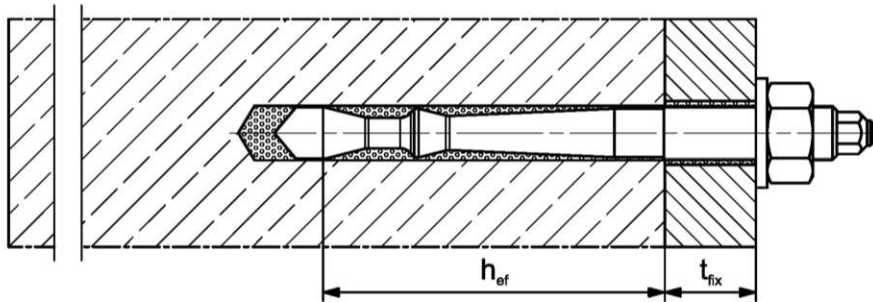
Installation conditions part 2

fischer Highbond - Anchor FHB II - A S

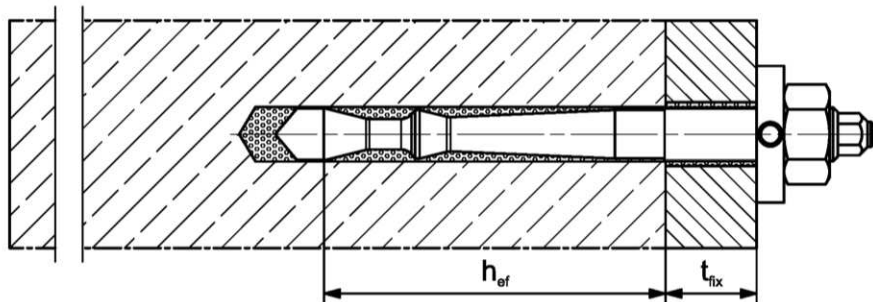
Pre-positioned installation



Push through installation



Pre-positioned or push through installation with subsequently pressed filling disk
(annular gap filled with mortar)



Pictures not to scale

h_{ef} = effective anchorage depth

t_{fix} = thickness of fixture

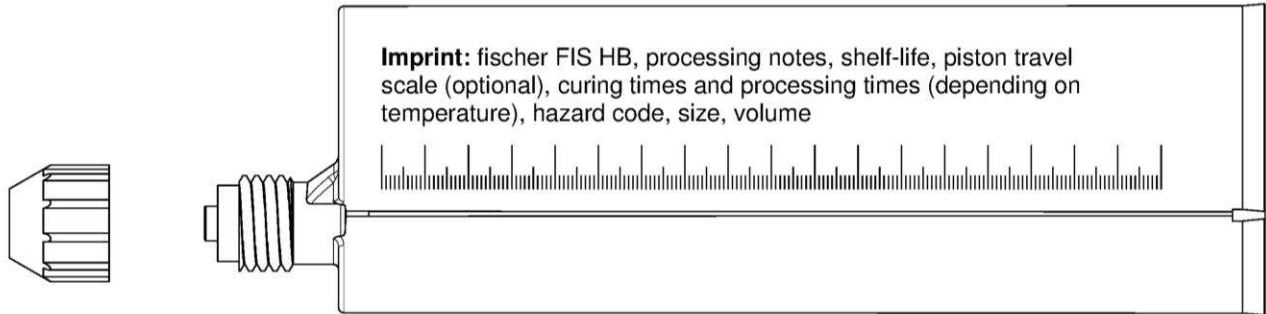
fischer Highbond-Anchor FHB II

Product description
Installation conditions part 2; FHB II – A S

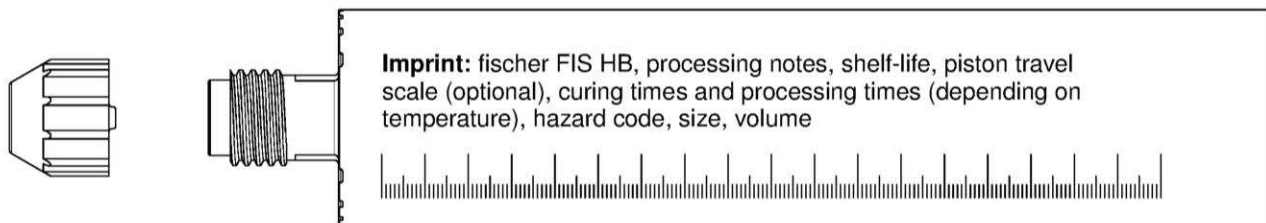
Annex A 2

Overview system components part 1

Mortar cartridge (shuttle cartridge) with sealing cap; Size: 360 ml, 950 ml



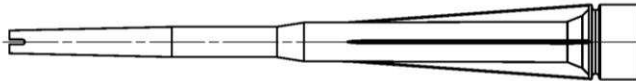
Mortar cartridge (coaxial cartridge) with sealing cap; Size: 150 ml, 300 ml



Mortar capsule



Static mixer MR or UMR



Extension tube for static mixer



Cleaning brush BS



Blow-out pump ABG or ABP with cleaning nozzle



Pictures not to scale

fischer Highbond-Anchor FHB II

System description

Overview system components part 1;
cartridges / mortar capsule / accessories

Annex A 3

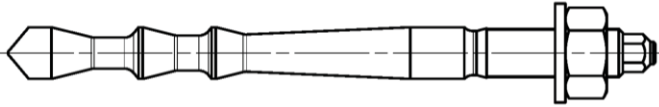
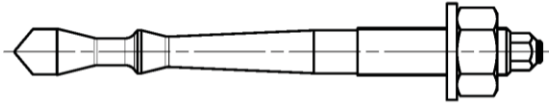
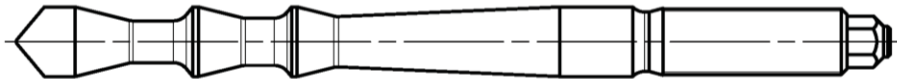
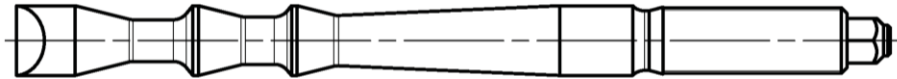
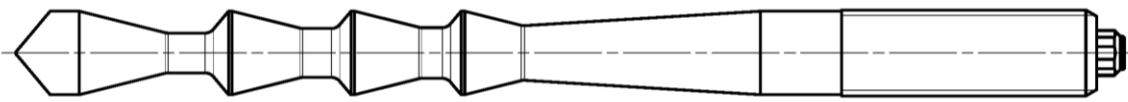
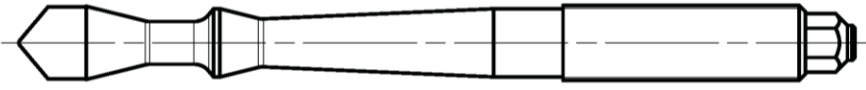
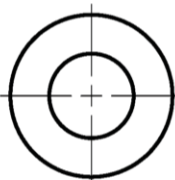
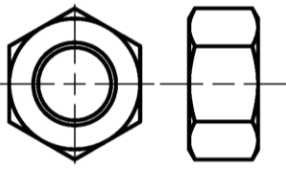
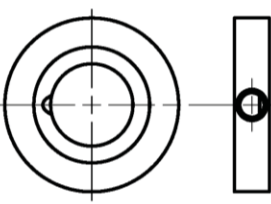
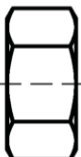
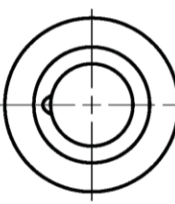


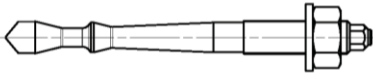


Overview system components part 2	
fischer Highbond - Anchor rod; pre-assembled condition	
fischer Highbond - Anchor rod FHB II - A L	fischer Highbond - Anchor rod FHB II - A S
	
Anchor rod FHB II - A L Size: M8, M10, M12, M16, M20	
 	
Anchor rod FHB II - A L Size: M24	
	
Anchor rod FHB II - A S Size: M10, M12, M16, M20, M24	
	
Washer	 
Hexagon nut	 
fischer filling disk FFD	 
Pictures not to scale	
fischer Highbond-Anchor FHB II	Annex A 4
System description Overview system components part 2; Anchor rod / washer / hexagon nut / fischer filling disk FFD	

Table A5.1: Materials				
Part	Designation	Material		
1	Mortar cartridge	Mortar, hardener, filler		
2	Mortar capsule	Mortar, hardener, filler		
	Steel grade	Steel, zinc plated	Stainless steel A4	High corrosion resistant steel C
3	Fischer Highbond- Anchor rod FHB II - A L or FHB II - A S	Property class 8.8; EN ISO 898-1:2013 zinc plated $\geq 5 \mu\text{m}$, EN ISO 4042:1999 A2K $f_{uk} \leq 1000 \text{ N/mm}^2$ $A_5 > 12 \%$ fracture elongation	Property class 80 EN ISO 3506-1:2009 1.4401; 1.4404; 1.4578; 1.4571; 1.4439; 1.4362; 1.4062, 1.4662, 1.4462 EN 10088-1:2014 $f_{uk} \leq 1000 \text{ N/mm}^2$ $A_5 > 12 \%$ fracture elongation	Property class 80 EN ISO 3506-1:2009 1.4565; 1.4529 EN 10088-1:2014 $f_{uk} \leq 1000 \text{ N/mm}^2$ $A_5 > 12 \%$ fracture elongation
4	Washer ISO 7089:2000	zinc plated $\geq 5 \mu\text{m}$ EN ISO 4042:1999 A2K	1.4401; 1.4404; 1.4578; 1.4571; 1.4439; 1.4362; EN 10088-1:2014	1.4565;1.4529 EN 10088-1:2014
5	Hexagon nut	Property class 8; EN ISO 898-2:2012 zinc plated $\geq 5 \mu\text{m}$, ISO 4042:1999 A2K	Property class 70 EN ISO 3506-1:2009 1.4401; 1.4404; 1.4578; 1.4571; 1.4439; 1.4362; EN 10088-1:2014	Property class 70 EN ISO 3506-1:2009 1.4565; 1.4529 EN 10088-1:2014
6	fischer filling disk FFD similar to DIN 6319-G	zinc plated $\geq 5 \mu\text{m}$, EN ISO 4042:1999 A2K	1.4401; 1.4404; 1.4578; 1.4571; 1.4439; 1.4362; EN 10088-1:2014	1.4565;1.4529 EN 10088-1:2014
fischer Highbond-Anchor FHB II				Annex A 5
System description Materials				

Specifications of intended use (part 1)					
Table B1.1: Overview use and performance categories					
Anchorages subject to		fischer injection mortar FIS HB or fischer mortar capsule FHB II-P or FHB II-PF with ...			
		FHB II – A L		FHB II – A S	
					
Hammer drilling with standard drill bit		all sizes			
Hammer drilling with hollow drill bit (Heller "Duster Expert" or Bosch "SpeedClean" or Hilti "TE-CD, TE-YD")		Nominal drill bit diameter (d_0) \geq 12 mm			
Static or quasi static load, in	uncracked concrete	all sizes	Tables: C1.1, C3.1, C5.1	all sizes	Tables: C2.1, C4.1, C6.1
	cracked concrete				
Use category	dry or wet concrete	all sizes			
	flooded hole	all sizes (only with mortar capsule allowed)			
Kind of installation	Pre-positioned anchor	all sizes			
	Push through anchor	all sizes (only with injection mortar FIS HB allowed)		all sizes	
Installation temperature	-5 C to +40 C				
In-service temperature	-40°C to +80°C (max. short term temperature +80 °C and max. long term temperature +50 °C)				
fischer Highbond-Anchor FHB II					Annex B 1
Intended use Specifications (part 1)					

Specifications of intended use (part 2)

Base materials:

- Reinforced or unreinforced normal weight concrete Strength classes C20/25 to C50/60 according to EN 206-1:2000

Use conditions (Environmental conditions):

- Structures subject to dry internal conditions
(zinc coated steel, stainless steel or high corrosion resistant steel)
- Structures subject to external atmospheric exposure (including industrial and marine environment) and to permanently damp internal condition, if no particular aggressive conditions exist
(stainless steel or high corrosion resistant steel)
- Structures subject to external atmospheric exposure, to permanently damp internal conditions or in other particular aggressive conditions (high corrosion resistant steel)

Note: Particular aggressive conditions are e.g. permanent, alternating immersion in seawater or the splash zone of seawater, chloride atmosphere of indoor swimming pools or atmosphere with extreme chemical pollution (e.g. in desulphurization plants or road tunnels where de-icing materials are used)

Design:

- Anchorages have to be designed by a responsible engineer with experience of concrete anchor design
- Verifiable calculation notes and drawings are to be prepared taking account of the loads to be anchored. The position of the anchor is indicated on the design drawings (e.g. position of the anchor relative to reinforcement or to supports, etc.)
- Anchorages under static or quasi-static actions are designed in accordance with:
EOTA ETAG 001 Annex C, 08/2010 or CEN/TS 1992-4:2009

Installation:

- Anchor installation is to be carried out by appropriately qualified personnel and under the supervision of the person responsible for technical matters of the site
- In case of aborted hole: The hole shall be filled with mortar
- Observe the effective anchorage depth
- Overhead installation is allowed

fischer Highbond-Anchor FHB II

Intended Use
Specifications (part 2)

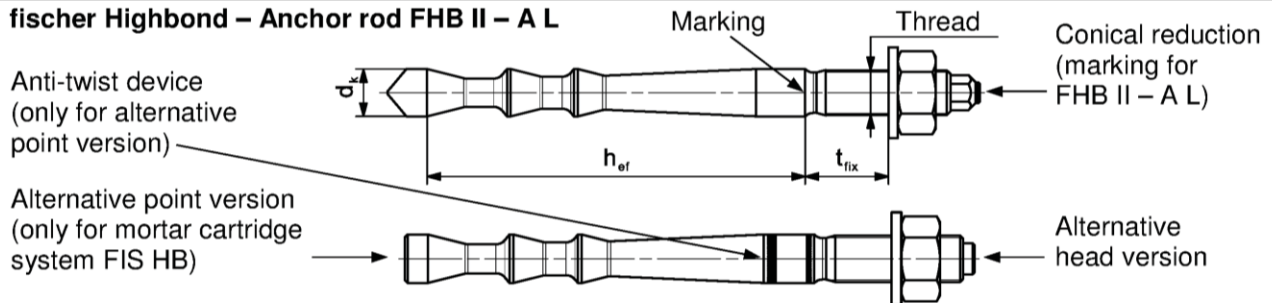
Annex B 2

Table B3.1: Installation parameters for fischer Highbond - Anchor rods FHB II – A L

Anchor rod FHB II – A L	Thread	M8x	M10x	M12x		M16x			M20x	M24x
		60	95	100	120	125	145	160	210	210
Corresponding mortar capsules FHB II-P or FHB II-PF	[-]	8x 60	10x 95	12x 100	12x 120	16x 125	16x 145	16x 160	20x 210	24x 210
Cone diameter	d_k	9,4	10,7	12,5		16,8			23,0	
Width across flats	SW	13	17	19		24			30	36
Nominal drill hole diameter	d_0	10	12	14		18			25	
Drill hole depth	h_0	75	110	115	135	140	160	175	235	
Effective anchorage depth	h_{ef}	60	95	100	120	125	145	160	210	
Minimum spacing and minimum edge distance	$s_{min} = c_{min}$	40		50		55	60	70	90	
Diameter of clearance hole in the fixture ¹⁾	pre-positioned anchorage $d_f \leq$	9	12	14		18			22	26
	push through anchorage ²⁾ $d_f \leq$	11	14	16		20			26	
Min. thickness of concrete member	h_{min}	100	140		170		190	220	280	
Installation torque	T_{inst}	[Nm] 15	20	40		60			100	
Thickness of fixture	$t_{fix} \leq$	1500								
fischer filling disk FFD ³⁾	$\geq d_a$	-	26	30		38			46	54
	t_s	-	6	6		7			8	10

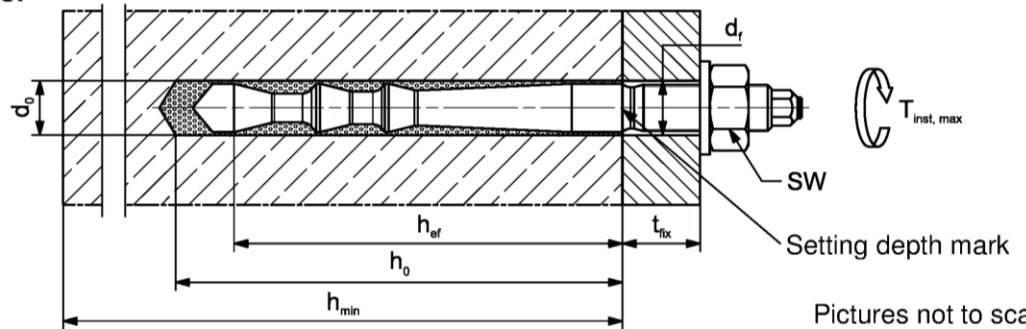
¹⁾ For larger clearance holes in the fixture see EOTA ETAG 001 Annex C, 08/2010 or CEN/TS 1992-4-:2009
²⁾ Only with mortar cartridge system FIS HB
³⁾ Using fischer filling disk FFD reduces t_{fix} (usable length of the anchor)

fischer Highbond – Anchor rod FHB II – A L



Marking: work symbol, size of anchor, setting depth. e.g.: M10x95
 For stainless steel additional **A4**. For high corrosion resistant steel additional **C**.
 For high corrosion resistant steel additional marking **C** also on the face side

Installation conditions:



fischer Highbond-Anchor FHB II

Intended Use

Installation parameters fischer Highbond-Anchor rod FHB II – A L

Annex B 3

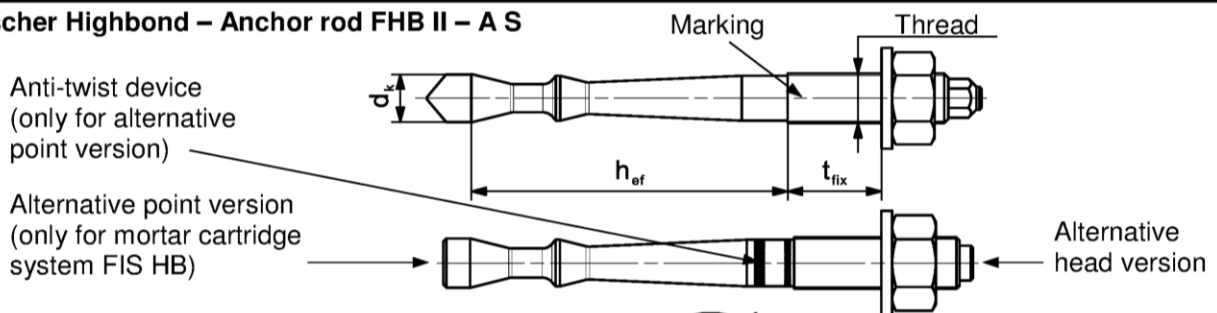
Table B4.1: Installation parameters for fischer Highbond – Anchor rods FHB II – A S

Anchor rod FHB II – A S	Thread	M10x		M12x	M16x	M20x	M24x
		60	75	75	95	170	170
Corresponding mortar capsules FHB II-P or FHB II-PF	[-]	10x60	10x75	12x75	16x95	20x170	24x170
Cone diameter	d_k	9,4		11,3	14,5	23,0	
Width across flats	SW	17		19	24	30	36
Nominal drill hole diameter	d_0	10		12	16	25	
Drill hole depth	h_0	75	90	90	110	190	
Effective anchorage depth	h_{ef}	60	75	75	95	170	
Minimum spacing and minimum edge distance $s_{min} = c_{min}$	[mm]	40			50	80	
Diameter of clearance hole in the fixture ¹⁾	pre-positioned anchorage $d_i \leq$	12		14	18	22	26
	push through anchorage $d_i \leq$	12		14	18	26	
Min. thickness of concrete member	h_{min}	100	120		150	240	
Installation torque	T_{inst}	15		30	50	100	
Thickness of fixture	$t_{fix} \leq$	1500					
fischer filling disk FFD ²⁾	$\geq d_a$	26		30	38	46	54
	t_s	6		6	7	8	10

¹⁾ For larger clearance holes in the fixture see EOTA ETAG 001 Annex C, 08/2010 or CEN/TS 1992-4-:2009

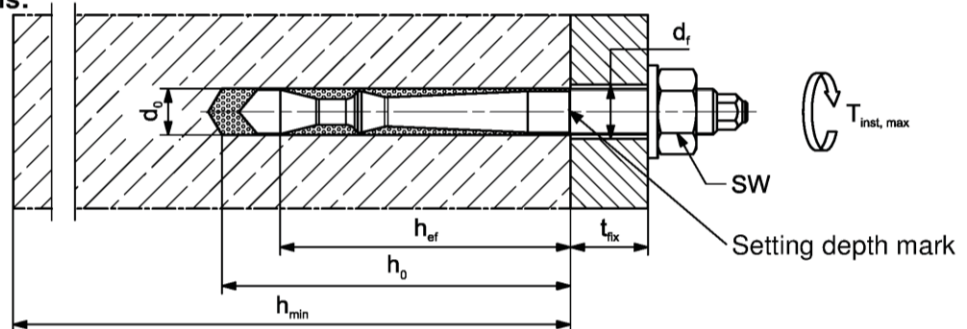
²⁾ Using fischer filling disk FFD reduces t_{fix} (usable length of the anchor)

fischer Highbond – Anchor rod FHB II – A S



Marking: work symbol, size of anchor, setting depth. e.g.: M10x75
 For stainless steel additional **A4**. For high corrosion resistant steel additional **C**.
 For high corrosion resistant steel additional marking **C** also on the face side

Installation conditions:



Pictures not to scale

fischer Highbond-Anchor FHB II

Intended Use

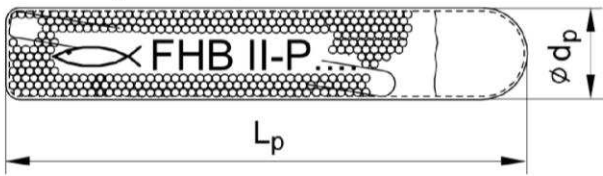
Installation parameters fischer Highbond-Anchor rod FHB II – A S

Annex B 4

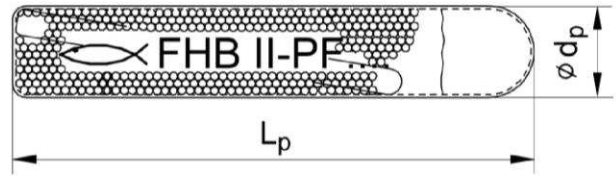
Table B5.1: Dimensions of mortar capsules FHB II-P and FHB II-PF

Mortar capsule	8x		10x		12x		16x			20x		24x		
	60	60	75	95	75	100	120	95	125	145	160	170	210	170
Length of capsule L_p	85		90	115	95	120		150	155		185	210	185	210
Diameter of capsule $\varnothing d_p$	9			11		12,5	14,5	17			21,5			

FHB II-P (standard)



FHB II-PF (fast curing)



Imprint: work symbol, marking, anchor size and effective anchorage depth.

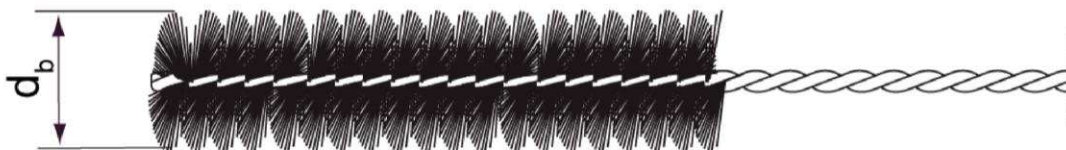
e.g.:  FHB II-P 12x100 or

 FHB II-PF 12x100

Table B5.2: Parameters of the cleaning brush BS (steel brush)
(only when using injection mortar)

The size of the steel brush refers to the nominal drill hole diameter

Drill hole diameter	d_0	[mm]	10	12	14	16	18	25
Brush diameter	d_b		11	13	16	20		27



Pictures not to scale

fischer Highbond-Anchor FHB II

Intende use

Dimensions of mortar capsules; parameters of the cleaning brush

Annex B 5

Table B6.1: Maximum processing time of the mortar **FIS HB** and minimum curing time (During the curing time of the mortar the concrete temperature may not fall below the listed minimum temperature)

System temperature [°C]	Maximum processing time t_{work}	Minimum curing time ¹⁾ t_{cure}
-5 to -1	---	6 h
0 to +4	---	3 h
> +5 to +9	15 min	90 min
> +10 to +19	6 min	35 min
> +20 to +29	4 min	20 min
> +30 to +40	2 min	12 min

¹⁾ In wet concrete the curing times must be doubled

Table B6.2: Minimum curing time for mortar capsules **FHB II-P** and **FHB II-PF** (During the curing time of the mortar the concrete temperature may not fall below the listed minimum temperature)



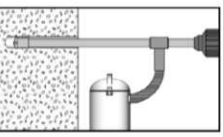
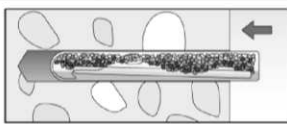
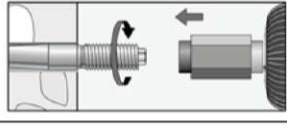
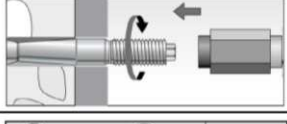
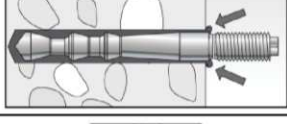
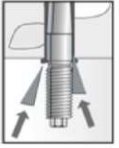


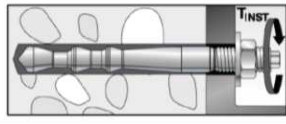
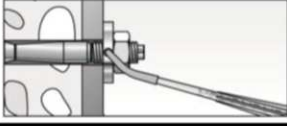
Mortar capsule FHB II-P (standard)		Mortar capsule FHB II-PF (fast curing)	
System temperature [°C]	Minimum curing time ¹⁾ t_{cure}	System temperature [°C]	Minimum curing time ¹⁾ t_{cure}
-5 to ±0	4 h	-5 to ±0	8 min
> +1 to +10	45 min	> +1 to +10	6 min
> +11 to +20	20 min	> +11 to +20	4 min
> +20	10 min	> +20	2 min

¹⁾ In wet concrete or flooded holes the curing times must be doubled

fischer Highbond-Anchor FHB II

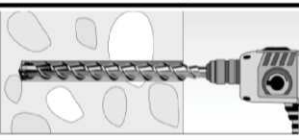
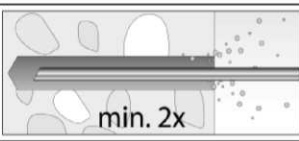

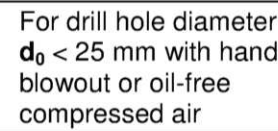
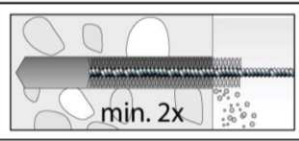
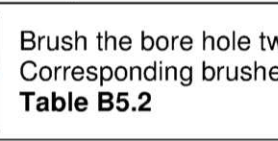
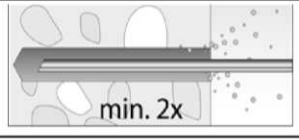

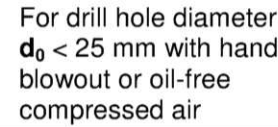
Intended use
Processing times and curing times

Annex B 6

Installation instructions part 1; Installation with mortar capsule FHB II-P or FHB II-PF			
Drilling the hole (hammer drilling with standard drill bit)			
1		Drill the hole with hammer drill. Drill hole diameter d_0 and drill hole depth h_0 see Tables B3.1, B4.1 Cleaning of the bore hole is not necessary	
Go to step 3			
Drilling and cleaning the hole (hammer drilling with hollow drill bit)			
1		Check a suitable hollow drill (see Table B1.1) for correct operation of the dust extraction	
2		Use a suitable dust extraction system, e. g. Bosch GAS 35 M AFC or a comparable dust extraction system with equivalent performance data Drill the hole with hollow drill bit. The dust extraction system has to extract the drill dust nonstop during the drilling process and must be adjusted to maximum power. Diameter of drill hole d_0 and drill hole depth h_0 see Tables B3.1, B4.1	
Go to step 3			
Installation Highbond-Anchor rod FHB II – A L and FHB II – A S			
3		Put the mortar capsule FHB II-P or FHB II-PF into the bore hole	
4		Pre-positioned anchor: Only use Highbond-Anchor rods FHB II - A L or FHB II – A S with roof-shaped point . Drive in the Anchor rod using a hammer drill or impact drill. When reaching the setting depth mark stop the drill immediately.	
		Push through anchor: Only use Highbond-Anchor rods FHB II – A S with roof-shaped point . Drive in the anchor rod using a hammer drill or impact drill. When reaching the setting depth mark stop the drill immediately.	
5		After inserting the anchor, excess mortar must be emerged around the anchor.	
5a		For overhead installations support the anchor rod with wedges. (e.g. fischer centering wedges)	
6		Wait for the specified curing time t_{cure} see Table B.2	
		7	 Mounting the fixture T_{inst} see Tables B3.1, B4.1
Option		After the minimum curing time is reached, the gap between anchor and fixture (annular clearance) may be filled with mortar via the fischer filling disc FFD. compressive strength $\geq 50 \text{ N/mm}^2$ (e.g. FIS HB). ATTENTION: Using fischer filling disk FFD reduces t_{fix} (usable length of the anchor)	
fischer Highbond-Anchor FHB II			Annex B 7
Intended use Installation instructions part 1; Installation with mortar capsule			


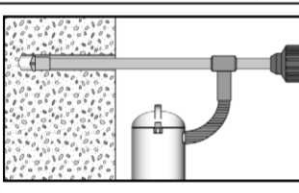
Installation instructions part 2; Installation with injection mortar FIS HB

Drilling and cleaning the hole (hammer drilling with standard drill bit)

1		Drill the hole with hammer drill. Drill hole diameter d_0 and drill hole depth h_0 see Tables B3.1, B4.1
2		Blow out the drill hole twice. If necessary, remove standing water out of the bore hole
		For drill hole diameter $d_0 < 25$ mm with hand-blowout or oil-free compressed air
		For drill hole diameter $d_0 = 25$ mm with oil-free compressed air ($p \geq 6$ bar) Use a cleaning nozzle
3		Brush the bore hole twice. Corresponding brushes see Table B5.2
		
4		Blow out the drill hole twice
		For drill hole diameter $d_0 < 25$ mm with hand-blowout or oil-free compressed air
		For drill hole diameter $d_0 = 25$ mm with oil-free compressed air ($p \geq 6$ bar) Use a cleaning nozzle

Go to step 5

Drilling and cleaning the hole (hammer drilling with hollow drill bit)

1		Check a suitable hollow drill (see Table B1.1) for correct operation of the dust extraction
2		Use a suitable dust extraction system, e. g. Bosch GAS 35 M AFC or a comparable dust extraction system with equivalent performance data. Drill the hole with hollow drill bit. The dust extraction system has to extract the drill dust nonstop during the drilling process and must be adjusted to maximum power. Diameter of drill hole d_0 and drill hole depth h_0 see Tables B3.1, B4.1

Go to step 5

fischer Highbond-Anchor FHB II

Intended use
Installation instructions part 2; Installation with injection mortar

Annex B 8

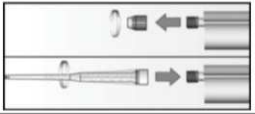
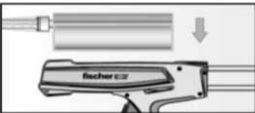
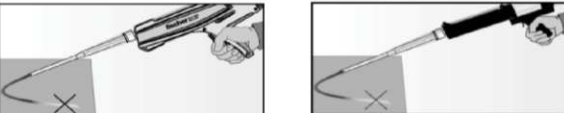

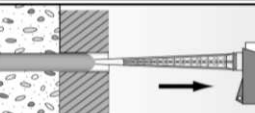
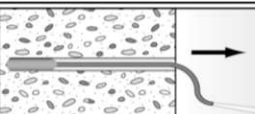
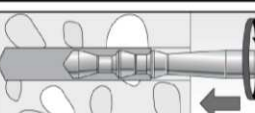
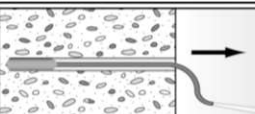
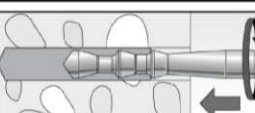



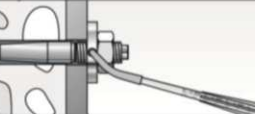
Installation instruction part 3; Installation with injection mortar FIS HB			
Preparing the cartridge			
5		Remove the sealing cap Screw on the static mixer (the spiral in the static mixer must be clearly visible)	
6		Place the cartridge into the dispenser	
7		Extrude approximately 10 cm of material until the resin is evenly grey in colour. Do not use mortar that is not uniformly grey	
Injection of the mortar			
8		Fill approximately 2/3 of the drill hole with mortar. Exact quantity of mortar (travel scale on the cartridge) see instruction sheet. Fill the drill hole with mortar, always begin from the bottom of the hole to avoid bubbles	
		Push-through installation: By using Highbond-Anchor rods FHB II - AL the drill hole in the fixture must be also filled with mortar. By using Highbond-Anchor rods FHB II - AS is this not necessary.	
		For drill hole depth ≥ 170 mm use an extension tube	
Installation Highbond-Anchor rod FHB II – A L and FHB II – A S			
9		Only use clean and oil-free anchor rods. Push the anchor rod down to the bottom of the hole, turning it slightly while doing so.	
10		After inserting the anchor rod FHB II - AL , surplus mortar must be escaped from the fixture. After inserting the anchor rod FHB II - AS , surplus mortar must be escaped from the bore hole or must be visible in the fixture.	
		For overhead installations support the anchor rod with wedges. (e.g. fischer centering wedges)	
11		Wait for the specified curing time t_{cure} see Table B6.1	
12		Mounting the fixture T_{inst} see Tables B3.1, B4.1	
Option		After the minimum curing time is reached, the gap between anchor and fixture (annular clearance) may be filled with mortar via the fischer filling disc FFD. compressive strength ≥ 50 N/mm ² (e.g. FIS HB). ATTENTION: Using fischer filling disc FFD reduces t_{fix} (usable length of the anchor)	
fischer Highbond-Anchor FHB II			Annex B 9
Intended use Installation instructions part 3; Installation with injection mortar			

Table C1.1: Characteristic values under static and quasi-static tension load for fischer Highbond-Anchor FHB II – A L											
Anchor rod FHB II – A L			M8x 60	M10x 95	M12x 100 120		M16x 125 145 160			M20x 210	M24x 210
Bearing capacity under tensile load, steel failure											
Characteristic resistance $N_{Rk,s}$	Steel, zinc plated	[kN]	25,1	34,4	49,8		96,6			137,6	
	Stainless steel A4		25,1	34,4	49,8		96,6			137,6	
	High corrosion resistant steel C		25,1	34,4	49,8		96,6			137,6	
Partial safety factors¹⁾											
Partial safety factor $\gamma_{Ms,N}$	Steel, zinc plated	[-]	1,5 ¹⁾								
	Stainless steel A4		1,5 ¹⁾								
	High corrosion resistant steel C		1,5 ¹⁾								
Pullout failure in cracked concrete C20/25											
Characteristic resistance	$N_{Rk,p}$	[kN]	--- ³⁾								
Pullout and splitting failure in uncracked concrete C20/25											
Characteristic resistance	$N_{Rk,p}$	[kN]	--- ³⁾								
Edge distance	$C_{cr,sp}$	[mm]	300	476	380	600	375	500	580	630	
Spacing	$S_{cr,sp}$		150	238	190	300	188	250	290	315	
Pullout and splitting failure in uncracked concrete C20/25											
Characteristic resistance	$N_{Rk,p}$ ²⁾	[kN]	20	35	40	50	--- ³⁾	75	95	--- ³⁾	
Edge distance	$C_{cr,sp}$	[mm]	1,5 h_{ef}								
Spacing	$S_{cr,sp}$		3,0 h_{ef}								
Factors for the compressive strength of concrete > C20/25											
Increasing factor for $N_{Rk,p}$	C25/30	Ψ_c	[-]	1,10							
	C30/37			1,22							
	C35/45			1,34							
	C40/50			1,41							
	C45/55			1,48							
	C50/60			1,55							
Factors acc. to CEN/TS 1992-4:2009 Section 6.2.2.3											
Uncracked concrete	k_{ucr}	[-]	10,1								
Cracked concrete	k_{cr}		7,2								
Concrete cone failure											
Effective anchorage depth	h_{ef}	[mm]	60	95	100	120	125	145	160	210	
Partial safety factor ^{1) 5)}	γ_{Mc}	[-]	1,5 ⁴⁾	1,5							
¹⁾ In absence of other national regulations ²⁾ Proof of splitting failure acc. ETAG 001, Annex C, (Section 5.3). Instead of $N_{Rk,c}^0$ use $N_{Rk,p}$. ³⁾ Not decisive (proof of splitting failure acc. ETAG 001, Annex C) ⁴⁾ With mortar capsule: $\gamma_{Mc} = 1,8$ ⁵⁾ $\gamma_2 = 1,0$ is included											
fischer Highbond-Anchor FHB II										Annex C 1	
Performances Characteristic values under static and quasi-static tension load for fischer Highbond-Anchor FHB II – A L											

Table C2.1: Characteristic values under static and quasi-static tension load for fischer Highbond-Anchor FHB II – A S							
Anchor rod FHB II – A S		M10x		M12x	M16x	M20x	M24x
		60	75	75	95	170	170
Bearing capacity under tensile load, steel failure							
Characteristic resistance $N_{Rk,s}$	Steel, zinc plated	[kN]	25,1	34,4	61,6	128,5	
	Stainless steel A4 High corrosion resistant steel C		25,1	34,4	61,6	128,5	
Partial safety factors¹⁾							
Partial safety factor $\gamma_{Ms,N}$	Steel, zinc plated	[-]	1,5 ¹⁾				
	Stainless steel A4		1,5 ¹⁾				
	High corrosion resistant steel C		1,5 ¹⁾				
Pullout failure in cracked concrete C20/25							
Characteristic resistance	$N_{Rk,p}$	[kN]	--- ³⁾				
Pullout and splitting failure in uncracked concrete C20/25							
Characteristic resistance	$N_{Rk,p}$	[kN]	--- ³⁾				
Edge distance	$c_{cr,sp}$	[mm]	300		340	510	
Spacing	$s_{cr,sp}$		150		170	255	
Pullout and splitting failure in uncracked concrete C20/25							
Characteristic resistance	$N_{Rk,p}$ ²⁾	[kN]	20	25	40	--- ³⁾	
Edge distance	$c_{cr,sp}$	[mm]	1,5 h_{ef}				
Spacing	$s_{cr,sp}$		3,0 h_{ef}				
Factors for the compressive strength of concrete > C20/25							
Increasing factor for $N_{Rk,p}$	C25/30	Ψ_c	[-]	1,10			
	C30/37			1,22			
	C35/45			1,34			
	C40/50			1,41			
	C45/55			1,48			
	C50/60			1,55			
Factors acc. to CEN/TS 1992-4:2009 Section 6.2.2.3							
Uncracked concrete	k_{ucr}	[-]	10,1				
Cracked concrete	k_{cr}		7,2				
Concrete cone failure							
Effective anchorage depth	h_{ef}	[mm]	60	75	95	170	
Partial safety factor ^{1) 5)}	γ_{Mc}	[-]	1,5 ⁴⁾	1,5			
¹⁾ In absence of other national regulations ²⁾ Proof of splitting failure acc. ETAG 001, Annex C, (Section 5.3). Instead of $N_{Rk,c}^0$ use $N_{Rk,p}$. ³⁾ Not decisive (proof of splitting failure acc. ETAG 001, Annex C) ⁴⁾ With mortar capsule: $\gamma_{Mc} = 1,8$ ⁵⁾ $\gamma_2 = 1,0$ is included							
fischer Highbond-Anchor FHB II						Annex C 2	
Performances Characteristic values under static and quasi-static tension load for fischer Highbond-Anchor FHB II – A S							

Table C3.1: Characteristic values under static and quasi-static shear load for fischer Highbond-Anchor FHB II – A L										
Anchor rod FHB II – A L		M8x 60	M10x 95	M12x 100 120		M16x 125 145 160		M20x 210	M24x 210	
Bearing capacity under shear load, steel failure										
without lever arm										
Characteristic resistance	Steel, zinc plated	13,7	20,8	30,3		56,3		87,9	126,9	
	Stainless steel A4 and High corrosion resistant steel C	15,2	23,2	33,7		62,7		97,9	141	
with lever arm										
Characteristic bending moment	Steel, zinc plated	31	62	105		266		519	896	
	Stainless steel A4 and High corrosion resistant steel C	31	62	105		266		519	896	
Partial safety factors										
Partial safety factors ¹⁾	$\gamma_{Ms,V}$	[-]		1,25						
Ductility factor acc. to CEN/TS 1992-4-5:2009 Section 6.3.2.1	k_2	[-]		1,0						
Concrete pry-out failure										
Factor k acc. TR029 Section 5.2.3.3 or k_3 acc. CEN/TS 1992-4-5:2009 Section 6.3.3	$k_{(3)}$	[-]		2,0						
Partial safety factors ¹⁾	γ_{Mcp}	[-]		1,5						
Concrete edge failure										
Effective length of anchor	l_f	[mm]		60	95	100	112	125	144	200
Calculation diameter	d	[mm]		10	12	14		18		25
Partial safety factor ¹⁾	γ_{Mc}	[-]		1,5						
¹⁾ In absence of other national regulations										
fischer Highbond-Anchor FHB II								Annex C 3		
Performances Characteristic values under static and quasi-static shear load for fischer Highbond-Anchor FHB II – A L										

Table C4.1: Characteristic values under static and quasi-static shear load for fischer Highbond-Anchor FHB II – A S								
Anchor rod FHB II – A S		M10x		M12x	M16x	M20x	M24x	
		60	75	75	95	170	170	
Bearing capacity under shear load, steel failure								
Without lever arm								
Characteristic resistance	Steel, zinc plated	$V_{Rk,s}$	[kN]	19,7	27,3	50,8	80,3	114,2
	Stainless steel A4			24,1	33,7	62,7	97,9	124,5
	High corrosion resistant steel C			24,1	33,7	62,7	97,9	141
With lever arm								
Characteristic bending moment	Steel, zinc plated	$M^0_{Rk,s}$	[Nm]	62	105	266	519	896
	Stainless steel A4 and High corrosion resistant steel C			62	105	266	519	896
Partial safety factors								
Partial safety factor ¹⁾	$\gamma_{Ms,V}$	[-]	1,25					
Ductility factor acc. to CEN/TS 1992-4-5:2009 Section 6.3.2.1	k_2	[-]	1,0					
Concrete pryout failure								
Factor k acc. TR029 Section 5.2.3.3 or k_3 acc. CEN/TS 1992-4-5:2009 Section 6.3.3	$k_{(3)}$	[-]	2,0					
Partial safety factor ¹⁾	γ_{Mcp}	[-]	1,5					
Concrete edge failure								
Effective length of anchor	l_f	[mm]	60	75	95	170		
Calculation diameter	d		10	12	16	25		
Partial safety factor ¹⁾	γ_{Mc}	[-]	1,5					
¹⁾ In absence of other national regulations								
fischer Highbond-Anchor FHB II						Annex C 4		
Performances Characteristic values under static and quasi-static shear load for fischer Highbond-Anchor FHB II – A S								

Table C5.1: Displacement for fischer Highbond-Anchor FHB II – A L									
Anchor rod FHB II – A L	M8x 60	M10x 95	M12x		M16x			M20x 210	M24x 210
			100	120	125	145	160		
Displacement under tension load									
Cracked concrete									
Tension load [kN]	6,6	15,9	17,1	22,5	24,0	30,0	34,7	52,2	52,2
δ_{N0} [mm]	0,8				0,6				
$\delta_{N\infty}$	1,7								
Uncracked concrete									
Tension load [kN]	9,3	22,3	24,0	31,6	33,6	42,0	48,7	73,2	73,2
δ_{N0} [mm]	0,2	0,4						0,6	
$\delta_{N\infty}$	1,7								
Displacement under shear load									
Uncracked or cracked concrete									
Steel zinc plated									
Shear load [kN]	7,8	11,9	17,3		32,2			50,2	72,5
δ_{V0} [mm]	1,2		1,3			3,5			
$\delta_{V\infty}$	1,8		2,0			5,3			
Stainless steel A4									
Shear load [kN]	8,7	13,3	19,3		35,8			55,9	80,6
δ_{V0} [mm]	1,0		1,1		2,2			3,5	
$\delta_{V\infty}$	1,5		1,7		3,3			5,3	
High corrosion resistant steel C									
Shear load [kN]	8,7	13,3	19,3		35,8			55,9	80,6
δ_{V0} [mm]	1,2		1,3		2,4			3,7	5,0
$\delta_{V\infty}$	1,8		2,0		3,6			5,6	7,5
fischer Highbond-Anchor FHB II								Annex C 5	
Performances		Displacement for fischer Highbond-Anchor FHB II – A L							

Table C6.1: Displacement for fischer Highbond-Anchor FHB II – A S						
Anchor rod FHB II – A S	M10x		M12x	M16x	M20x	M24x
	60	75	75	95	170	170
Displacement under tension load						
Cracked concrete						
Tension load [kN]	6,6	11,1	15,9	38,0		
δ_{N0} [mm]	0,8	0,3	0,4	0,6		
$\delta_{N\infty}$	1,7					
Uncracked concrete						
Tension load [kN]	9,3	15,6	22,3	53,3		
δ_{N0} [mm]	0,2				0,5	
$\delta_{N\infty}$	1,7					
Displacement under shear load						
Cracked or uncracked concrete						
Steel zinc plated						
Shear load [kN]	11,3	12,7	29,0	45,9	65,3	
δ_{V0} [mm]	1,2	1,5	2,8			
$\delta_{V\infty}$	1,8	2,3	4,2			
Stainless steel A4						
Shear load [kN]	13,8	19,3	35,8	55,9	71,1	
δ_{V0} [mm]	1,0	1,1	2,2	3,5		
$\delta_{V\infty}$	1,5	1,7	3,3	5,3		
High corrosion resistant steel C						
Shear load [kN]	13,8	19,3	35,8	55,9	80,6	
δ_{V0} [mm]	1,2	1,3	2,4	3,7	5,0	
$\delta_{V\infty}$	1,8	2,0	3,6	5,6	7,5	
fischer Highbond-Anchor FHB II					Annex C 6	
Performances Displacement for fischer Highbond-Anchor FHB II – A S						