

The nylon plug for all building materials



BUILDING MATERIALS

- Concrete
- Gypsum plasterboard and gypsum fibreboards
- Vertically perforated brick
- Hollow blocks made from lightweight concrete
- Cavity floor slabs made from bricks and concrete
- Perforated sand-lime brick
- Solid sand-lime brick
- Natural stone
- Aerated concrete
- Chipboard
- Solid panel made from gypsum
- Solid brick made from lightweight concrete
- Solid brick

APPROVALS



ADVANTAGES

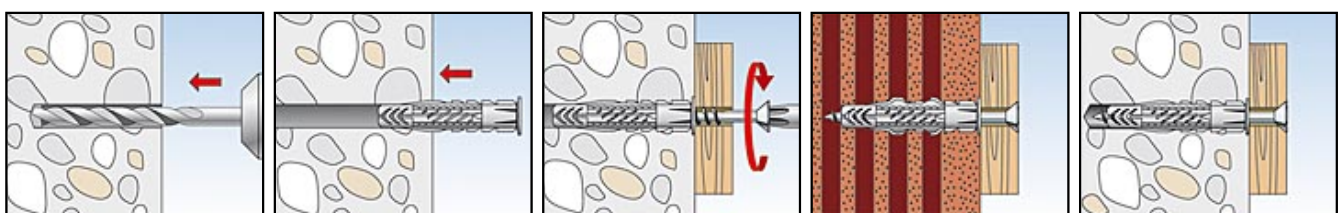
- The universal operating principle (knotting or expanding) allows for use in all solid, hollow and board building materials. Thus the UX is the correct choice for unknown base materials.
- The UX's angled connection ridges allow for optimum screw guidance. Serrated anti-rotation locks prevent rotation in the drill hole. This guarantees the greatest possible installation safety.
- Fixing sets with screws, eye screws and hooks provide the right solution for all applications.

APPLICATIONS

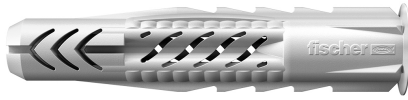
- Pictures
- Lighting
- Skirting
- Light cabinets
- Towel rails
- Mirror cabinets
- Curtain rails
- Wash basin fixings
- TV consoles
- Plumbing and heating fixings

FUNCTIONING

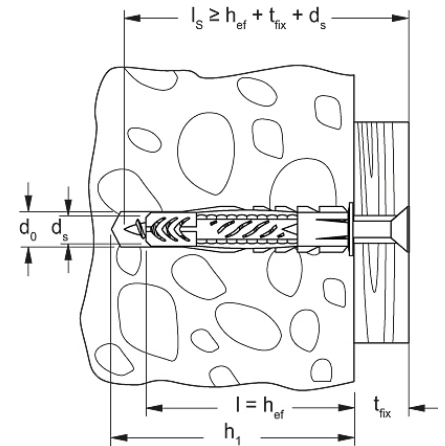
- The UX with rim is suitable for pre-positioned installation; the UX without rim is suitable for push-through installation.
- Turning in the screw causes the UX to expand in the solid building material and to knot within the cavity.
- The required screw length is given by the plug length + fixture thickness + 1 x screw diameter.
- Suitable for wood and chipboard screws, as well as stud screws.
- In the case of board building materials, the threadless part of the screw must not be longer than the fixture, and the UX with rim is to be used.
- The edge distance must be at least one plug length.



TECHNICAL DATA



Universal plug UX



| Article name | Art.-No. | Drill hole diameter d_0 [mm] | Min. drill hole depth h_1 [mm] | Min. panel thickness d_b [mm] | Anchor length l [mm] | Sales unit [pcs] |
|-------------------------|---------------|--------------------------------------|--|---------------------------------------|------------------------------|---------------------|
| UX 5 x 30 | 094721 | 5 | 40 | 9,5 | 30 | 100 |
| UX 5 x 30 R | 094722 | 5 | 40 | 9,5 | 30 | 100 |
| UX 6 x 35 | 062754 | 6 | 45 | 9,5 | 35 | 100 |
| UX 6 x 35 R | 062756 | 6 | 45 | 9,5 | 35 | 100 |
| UX 6 x 35 R S/20 | 094758 | 6 | 65 | 9,5 | 35 | 25 |
| UX 6 x 50 | 072094 | 6 | 60 | 9,5 | 50 | 100 |
| UX 6 x 50 R | 072095 | 6 | 60 | 9,5 | 50 | 100 |
| UX 6 x 50 R S/20 | 094759 | 6 | 80 | 9,5 | 50 | 25 |
| UX 8 x 40 R | 505483 | 8 | 50 | 9,5 | 40 | 100 |
| UX 8 x 50 | 077869 | 8 | 60 | 9,5 | 50 | 100 |
| UX 8 x 50 R | 077870 | 8 | 60 | 9,5 | 50 | 100 |
| UX 8 x 50 R S/15 | 094762 | 8 | 75 | 9,5 | 50 | 25 |
| UX 8 x 50 R S/25 | 094760 | 8 | 85 | 9,5 | 50 | 25 |
| UX 10 x 60 | 077871 | 10 | 75 | 12,5 | 60 | 50 |
| UX 10 x 60 R | 077872 | 10 | 75 | 12,5 | 60 | 50 |
| UX 10 x 60 S/20 | 094761 | 10 | 90 | 12,5 | 60 | 10 |
| UX 12 x 70 | 062758 | 12 | 85 | | 70 | 25 |
| UX 14 x 75 | 062757 | 14 | 95 | | 75 | 20 |

LOADS

Universal plug UX

Highest recommended tensile loads¹⁾ for a single anchor.

The given loads are valid for wood screws with the specified diameter.

| Type | | | UX 5 x 30 | UX 6 x 35 | UX 6 x 50 | UX 8 x 40 UX 8 x 50 | UX 10 x 60 | UX 12 x 70 | UX 14 x 80 |
|---|----------------------------|------|-----------|-----------|-----------|------------------------|------------|------------|------------|
| Wood screw diameter | ∅ | [mm] | 4 | 5 | 5 | 6 | 8 | 10 | 12 |
| Recommended loads in the respective base material F_{rec}²⁾ | | | | | | | | | |
| Concrete | ≥ C20/25 | [kN] | 0,30 | 0,40 | 0,60 | 0,60 | 1,00 | 1,50 | 1,80 |
| Solid brick | ≥ Mz 12 | [kN] | 0,20 | 0,20 | 0,30 | 0,30 | 0,50 | 0,70 | 0,80 |
| Perforated sand-lime brick | ≥ KSL 12 | [kN] | 0,30 | 0,40 | 0,40 | 0,50 | 0,60 | 0,80 | 0,80 |
| Vertically perforated brick | ≥ Hlz 12 | [kN] | 0,20 | 0,20 | 0,20 | 0,20 | 0,20 | 0,30 | 0,40 |
| Aerated concrete | ≥ AAC 4 | [kN] | 0,15 | 0,20 | 0,20 | 0,30 | 0,40 | 0,60 | 0,70 |
| Gypsum plasterboard | 12,5 mm | [kN] | 0,10 | 0,10 | 0,10 | 0,10 | 0,10 | - | - |
| Gypsum plasterboard | 25 mm | [kN] | 0,10 | 0,15 | 0,15 | 0,15 | 0,15 | - | - |
| Gypsum fibreboard | (Fermacell) | [kN] | 0,20 | 0,20 | 0,20 | 0,20 | 0,25 | - | - |
| Gypsum block | ρ ≥ 0,9 kg/dm ³ | [kN] | - | - | - | 0,15 | 0,35 | 0,45 | 0,50 |

¹⁾ Required safety factors are considered.

²⁾ Valid for tensile load, shear load and oblique load under any angle.

LOADS

Universal plug UX with hook screws respective eye screws

Highest recommended tensile loads¹⁾ for a single anchor.

The given loads are valid for the included hook screws respective eye screws.

| Type | | | UX 6 x 35 RH | UX 6 x 35 WH | UX 8 x 50 RH | UX 8 x 50 WH | UX 8 x 50 RH |
|---|----------|------|--------------|--------------|--------------|--------------|--------------|
| Recommended loads in the respective base material F_{rec}²⁾ | | | | | | | |
| Concrete | ≥ C20/25 | [kN] | 0,25 | 0,30 | 0,40 | 0,45 | 0,40 |
| Vertically perforated brick | ≥ Hlz 12 | [kN] | 0,20 | 0,20 | 0,20 | 0,20 | 0,20 |
| Gypsum plasterboard | 12,5 mm | [kN] | 0,05 | 0,05 | 0,05 | 0,05 | 0,05 |

¹⁾ Required safety factors are considered.

²⁾ Valid for tensile load, shear load and oblique load under any angle.