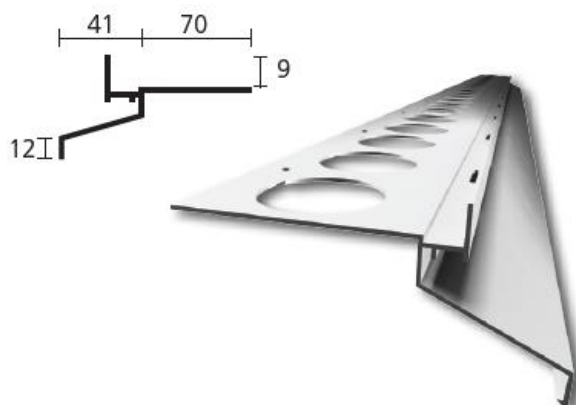


BD 40 / Balcony profile

Usage: A finishing profile with a drip edge of 40 mm designed for the insulated construction for laying floors from ceramic tiles. The finishing edge height is 9 mm. It is suitable for structural compositions with contact waterproofing as well as a separation, diffuse and waterproofing membrane. At the bottom of the profile there are drainage holes that provide the venting of steam or water drainage, which can penetrate between the profile and the tile during the assembly of the profile. The sealed edges achieve the clear and perfect completion of the tiling.

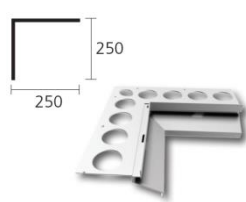
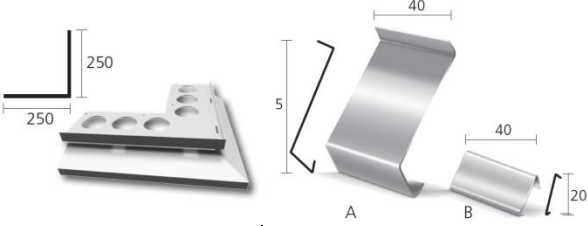




Specifications:

- Tightness in gutter areas
- Perfect drainage of water from tiles
- Resistance to corrosion and weather conditions
- Simple and fast assembly
- Aesthetic appearance
- The profile is included in the certified system
- Perfect drainage moisture accumulate under the tiling
-

Technical information:

Product code	EAN	Color	Length	Package (pcs.)
ALB-BD-40/S-25	4751023402222	Silver	2.5 m	5
ALB-BD-40/B-25	4751023402239	Brown	2.5 m	5
ALB-BD-40/G-25	4751023402246	Grey	2.5 m	5

Product photo					
Product code	ALB-BD-IC/S-90 ALB-BD-IC/B-90 ALB-BD-IC/G-90	ALB-BD-OC/S-90 ALB-BD-OC/B-90 ALB-BD-OC/G-90	ALB-BD-CON/S-40 ALB-BD-CON/B-40 ALB-BD-CON/G-40	ALB-B-FIN/G ALB-B-FIN/B	
EAN code	4751023402314 4751023402321 4751023402338	4751023402284 4751023402291 4751023402307	4751023402406 4751023402413 4751023402420	4751023401928 4751023401935	
Color	Silver Brown Grey	Silver Brown Grey	Silver Brown Grey	Grey Brown	
Length	1.0 m	1.0 m	55 mm	Universal	
Package (pcs.)	10	10	5	2	

	ALBAU LTD	V 03
	Product technical data sheet	v1
		Page 2
		Pages 4

BD 40 / Balcony profile

Type of surface:

Cement and other underlying layers, which has a particular stiffness and load capacity. Or, EPS wedge boards.

Preparation of base

The base must be sound, level and free from impurities. The cement substrate layer must be hardened, seasoned with properly transferred dilatations. A stratagem must be performed along the edge of the balcony (position approximately 3 mm), so that the mounting profile has a surface area at the same level as the surface of the base.

if it is fresh cement base layer - the sinking of the mounting template to fresh mortar

The stratagem is possible in the following ways:

1. If it is a fresh cement base layer – the sinking of the mounting template into fresh mortar
2. If the underlying cement mortar solidifies – attach the assembly template on the base surface and level the upper surface compensating the mortar.
3. Grinding grooves into the EPS wedge.

Tools:

Tape measure saw for cutting aluminum, knife, mixer or electric drill with a low speed, stainless steel trowel, paint brush, trowel spatula or trowel, steel notched finishing trowel (4 mm). It is permissible to use manual or mechanical saws for cutting aluminum. It is not permissible to use profile cutting tools that produce heat effects (soaring temperatures), for example: an angle grinder.

Implementation conditions:

The assembly of the profiles should be carried out under conditions suitable for insulation and assembly materials, such as sealing mortar, mechanical, or chemical compounds, other materials, according to the technical sheets of these materials.

Assembly:

1. The first layer of highly-flexible two-component waterproofing is applied onto the prepared surface.
2. From floor to wall we do the sealing with permanently flexible tape, which we insert into a waterproofing layer and use the trowel to press well.
3. On the edge of the balcony we apply a thin layer of waterproofing in the width of the balcony profiles. We attach the balcony profile on the aluminum base with anodized finish. The assembly starts with the brackets. After determining their position, mark the place of the mechanical attachment, drill holes, insert the plastic part of the anchor, and then mount the brackets for assessing additional sections of the straight profiles. The straight sections need to be laid out in such a way that in their connections remain expansion spaces with a width of about 3 mm to 5 mm between the profiles and the fixed elements of the building. Ensure the proper and equal attachment of the corner profiles. After the hardening of the sealing mortar unscrew the works in the established fastener.
4. Cover the aluminum balcony profile with butyl tape.



MADE IN EUROPE


Distributor: Ltd "Albau" – Ritvari, Rumbula, Stopinu district, LV-2121, Latvia, Reg.No. – 40103561205



www.albau.eu



www.xbau.eu

	ALBAU LTD	V 03
	Product technical data sheet	v1
		Page 3
		Pages 4

5. At the level of the expansion gaps (joining profiles and corner profiles) horizontally fit the joining elements under the profile. Apply a second waterproofing layer on the base and wall. Cover it with waterproof tape and aluminum profile.
6. When using the system with separation mat after drying the waterproofing (max. 24 hours) we apply, with a substrate steel notched trowel (4 mm), a thin layer of cement glue (ideally class C2FE- S1), into which we attach the separation mat. The separation mat has an end at the rear edge of the drainage trough.
7. With the steel notched trowel we apply a cement adhesive on the separating mat (tooth size depends on the type of tiling), which will adhere to the tiling, maximum size of the tiling being 33x33 cm. It is advisable to use a tile thickness of at least 9 mm and light shades.
8. The adhesive is applied to the substrate also on the tiling (at least C2 - S1) or the butter floating technique. Then by tapping with a rubber hammer we stabilize and discharge air. We gap the tiling for about 24 hours.
9. We apply the grout with a squeegee (we rub it diagonally in the gaps' direction at an angle of 45°). After drying the area we clean it with a clean sponge; it is recommended to select the width of the gaps depending on the tiling, and be at least 6 mm
10. Keep in mind that between the "nose" profile and the tiles it is necessary to leave a gap with a width of at least 6 mm, and place an expansion cord above the drainage openings. Before placing the cords, remove the protective film from the drainage openings. They serve only to protect the openings in the application of the adhesive squeegees. Fill the space between the profile ("nose") and tile with an elastic sealant (for outdoor use, e.g. polyurethane). The gaps between tiles and skirting should be 3-6 mm wide; insert an expansion cord into the gap, and then fill the free part with a polyurethane sealant.
11. After complete assembly, remove the protective film from the drip edges.

Resistance against corrosion:

Aluminum reacts with the oxygen in the air and creates an extremely thin oxide layer. Although it has a thickness of a few hundredths of microns, due to its density it provides excellent corrosion protection. If damaged, the layer restores itself. Anodizing oxidation increases the thickness of the oxide layer and thus improves corrosion protection. In the case of anodized profiles and accessories (corner, fillets, connectors) there may be subtle changes in hue. In the weld zone of the corner and fillet profiles there may be a change in hue that is not a defect.

General assembly instructions:

- Wear safety goggles during the work.
- If the profiles are soiled during assembly, it is possible to quickly clean the profile with water, and caked-on profiles with a suitable cleaning agent that will not damage the painted surface.
- To the extent of using other materials, especially sealing mortar, adhesive mortar, joints, reinforcing tape, elastic seals and others, it is necessary to use materials suitable for use on patios and balconies, following the instructions given in the technical sheets of the products or other required by law, reference documents.
- The manufacturer is not liable for damages caused by using the product which is not in accordance with the designation of the product, using unsuitable accompanying materials and the use of inappropriate tools.
- Work should be carried out in accordance with plans, technical manuals, relevant standards, regulations of construction work and OSH regulations.



MADE IN EUROPE


Distributor: Ltd "Albau" – Ritvari, Rumbula, Stopinu district, LV-2121, Latvia, Reg.No. – 40103561205



www.albau.eu



www.xbau.eu

	ALBAU LTD	V 03
	Product technical data sheet	v1
		Page 4
		Pages 4

General operating instructions:

- Wash the profiles at least twice a year.
- For washing, use clean water and a substance that does not scratch the surface.
- It is not allowed to use a strong acid or strong alkaline cleaning agents as well as surface-active agents which may react with aluminum.
- It is prohibited to use an organic solvent containing esters, ketones, alcohol, aromatic compounds, glycol esters, chlorinated hydrocarbons, etc.
- After each washing, the surface should be immediately rinsed with clean, cold water.
- It is illegal to use a salt and a chemical substance close to the profile. It is recommended to carry out the technical inspection of balconies and terraces twice a year to check the technical condition of individual elements.
- If deficiencies are found they should be removed as quickly as possible.

Transport and storage:

Transport in the original carton packaging, in a horizontal position and secure against mechanical damage. Keep in rooms that will protect them from pollution, distortion and scratches, in cartons of up to 10 layers.



MADE IN EUROPE

Distributor: Ltd "Albau" – Ritvari, Rumbula, Stopinu district, LV-2121, Latvia, Reg.No. – 40103561205



www.albau.eu



www.xbau.eu