



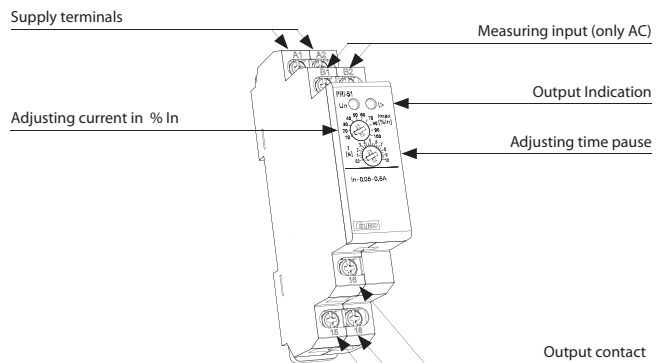
EAN code  
 PRI-51 /0.5A: 8595188142885  
 PRI-51 /1A: 8595188124904  
 PRI-51 /2A: 8595188124911  
 PRI-51 /5A: 8595188124928  
 PRI-51 /8A: 8595188124935  
 PRI-51 /16A: 8595188124942

Technical parameters		PRI-51
<b>Supply circuit</b>		
Supply terminals:	A1 - A2	
Voltage range:	AC 24 - 240 V and DC 24 V (AC 50 - 60 Hz)	
Burden:	max. 1.6 W	
Supply voltage tolerance:	-15 %; +10 %	
<b>Measuring circuit</b>		
Load:	between B1 - B2	
Current range:	PRI-51/0.5: AC 0.05-0.5A	PRI-51/8: AC 0.8-8A
	PRI-51/1: AC 0.1-1A	PRI-51/10: AC 1-10A
	PRI-51/2: AC 0.2-2A	PRI-51/16: AC 1.6-16A
	PRI-51/5*: AC 0.5-5A	(AC 50 Hz)
Max. permanent current:	PRI-51/0.5: 2 A PRI-51/1: 4 A PRI-51/2: 8 A PRI-51/5, PRI-51/8, PRI-51/10, PRI-51/16: 17 A	
Inrush overload <1ms:	100 A	
Current adjustment:	potentiometer	
Time delay:	adjustable 0.5 - 10 s	
<b>Accuracy</b>		
Setting accuracy (mechanical):	5 %	
Repeat accuracy:	< 1 %	
Temperature dependency:	< 0.1 % / °C (°F)	
Limit values tolerance:	5 % (10 % for 0.05 - 0.5 A range)	
Hysteresis (fault to OK):	5 %	
<b>Output</b>		
Number of contacts:	1x changeover / SPDT (AgNi / Silver Alloy)	
Current rating:	8 A / AC1	
Breaking capacity:	2000 VA / AC1, 240 W / DC	
Output indication:	green / red LED	
<b>Other information</b>		
Operating temperature:	-20 °C to 55 °C (-4 °F to 131 °F)	
Storage temperature:	-30 °C to 70 °C (-22 °F to 158 °F)	
Electrical strength:	4 kV (supply - output)	
Operating position:	any	
Mounting:	DIN rail EN 60715	
Protection degree:	IP40 from front panel / IP10 terminals	
Overvoltage category:	III.	
Pollution degree:	2	
Max. cable size (mm <sup>2</sup> ):	solid wire max. 2x 2.5 or 1x 4, with sleeve max. 1x 2.5 or 2x 1.5 (AWG 12)	
Dimensions:	90 x 17.6 x 64 mm (3.5" x 0.7" x 2.5")	
Weight:	72 g (2.54 oz.)	
Standards:	EN 60255-6, EN 61010-1	

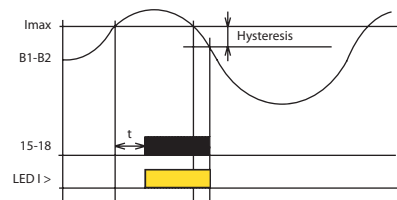
\* applicable also for current transformer

- It serves for monitoring of heating in rail-switches, heating cables, consumption of one-phase motors, indicates current flow
- Flexible adjustment by potentiometer, choice of 7 ranges: AC 0.05 - 0.5 A; AC 0.1 - 1 A; AC 0.2 - 2 A; AC 0.5 - 5 A; AC 0.8 - 8 A; AC 1 - 10 A; AC 1.6 - 16 A
- Adjustable delay 0.5 - 10 s to eliminate short current peaks
- It is possible to use for current scanning from current transformer - up to 600 A!
- Universal supply AC 24 - 240 V and DC 24 V
- Supply is galvanically separated from measured current, it must be in the same phase
- Output contact: 1x changeover / SPDT 8 A
- 1-phase, 1-MODULE, DIN rail mounting

**Description**

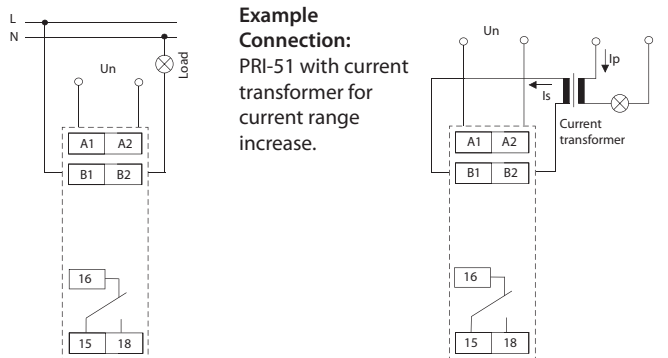


**Function**

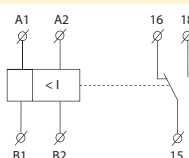


Monitoring relay PRI-51 serves to monitor current level in one-phase AC circuits. Gradual setting of actuating current of monitoring relay enables many different applications. Output relay is in normal state opened. After the set current level is reached, relay closes after the set delay (0.5 - 10s). When returning from faulty to normal state there is a hysteresis (5 %). Multi-voltage of this relay is an advantage. It is possible to monitor load which doesn't have the same supply as monitoring relay PRI-51. Range of PRI-51 can be increased by an external current transformer.

**Connection**



**Symbol**



**Example of an order**

Always specify all reference name of current relay according to required range, for example PRI-51/5.