



EAN code
SMR-S /230 V: 8595188123518
SMR-U /230 V: 8595188130738

Technical parameters	SMR-S	SMR-U
Connection:	3-wire con., without neutral	4-wire con., with neutral
Voltage range:	230 V AC / 50 Hz	
Power input (no operation / make):	max. 3 VA	
Supply voltage tolerance:	-15 %; +10 %	
Output		
Resistive load:	10 - 300 VA	500 VA*
Inductive load:	10 - 150 VA	500 VA*
Capacitive load:	x	500 VA*
Control		
Control voltage:	AC 230 V	
Current:	max. 3 mA	
Impulse lenght:	min. 50 ms / max. unlimited	
Glow tubes connection:	Yes	
Max. amount of glow lamps connected to controlling input:	230 V - max. amount 10 pcs (measured with glow lamp 0.68 mA / 230 V AC)	
Other information		
Operating temperature:	0 °C to +50 °C (32 °F to 122 °F)	
Operating position:	any	
Mounting:	free at connecting wires	
Protection degree:	IP30 in standard conditions**	
Overvoltage category:	III.	
Pollution degree:	2	
Fuse:	F 1.6 A / 250 V	x
Connection wires:	solid wires 0.75 mm ² (AWG 18) / 90 mm (3.5")	
Glow lamps in a button:	max. number 10	
Dimensions:	49 x 49 x 13 mm (1.9" x 1.9" x 0.5")	
Weight:	32 g (1.1 oz.)	32 g (1.1 oz.)
Standards:	EN 61010-1, EN 60669-2-1	

* with load over 300 VA is necessary to ensure sufficient cooling.

** for more information see page 41

- Button-controlled dimmers designated for flush mounting into a wiring box.
- Possible to control from more places (parallel connections).
- Protection against temperature overrun inside the device.

SMR-S:

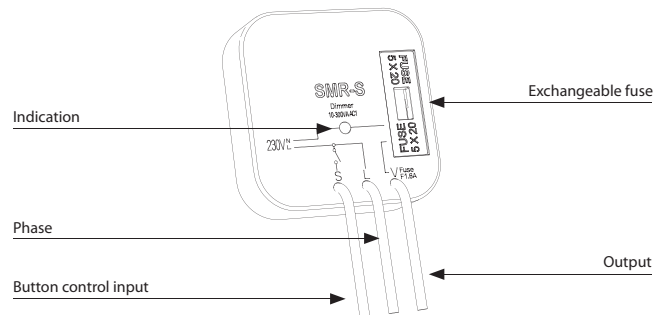
- Designated for dimming el. bulbs, halogen lights and halogen lights with winding transformers and Dimmable LED¹.
- 3-wire connection, functional without neutral
- max. load: 300 VA (el. bulbs or halogen lights with wound transformer)
- contactless output - 1x triac
- with exchangeable fuse.

SMR-U:

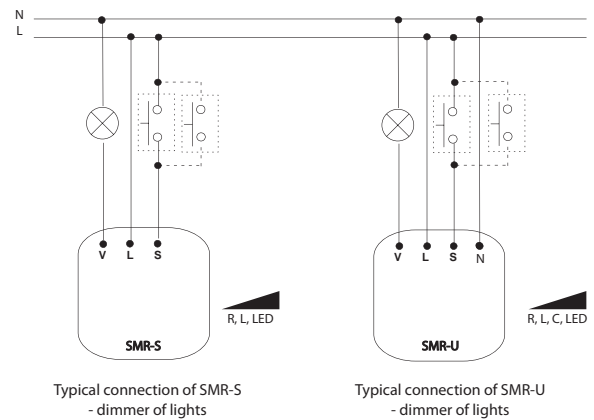
- Designed for dimming of incandescent bulbs and halogen lights with wound or electronic transformer and Dimmable LED².
- 4-wire connection
- max. load: 500 VA (el. bulbs or halogen lights with electronic or wound transformer)
- contactless output - 2x MOSFET
- electronic over-heating protection - output off in case of short-circuit or overload.

^{1,2} For more information, see page 41

Description of SMR-S



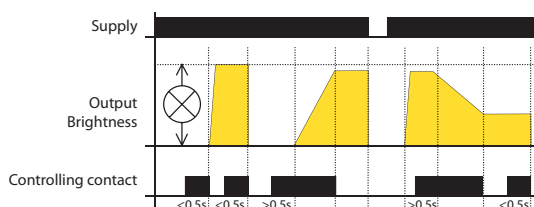
Connection



Warning: it cannot be used for fluorescent lights and energy saving lights!

SMR-U: It is not allowed to connect together loads of inductive and capacitive in the same time.

Function



Short press (<0.5s) turns a light on, another short press turns it off. A longer press (>0.5s) causes a gradual regulation of light intensity min-max-min round until the button is released. After releasing a set intensity is kept in memory, further short presses turn the light on/off keeping the set intensity. The intensity can be changed by further long press. After de-energising the relay remembers the set value.