

First heat-insulation combination screw fixing that can be countersunk without a special tool.



BUILDING MATERIALS

Approved for:

- Concrete
- Sand-lime solid brick
- Clay brick
- Sand-lime perforated brick
- Vertically perforated brick
- Solid blocks made of lightweight concrete
- Hollow block stone made of lightweight concrete
- Lightweight aggregate concrete
- Aerated concrete

Suitable for:

- Wood building materials
- Board building materials

APPROVALS



ADVANTAGES

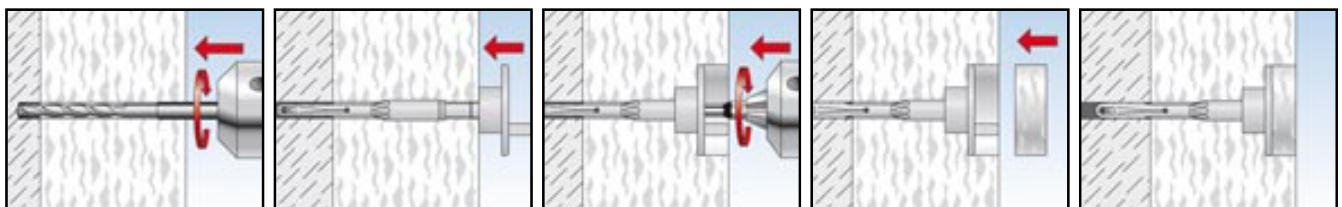
- One anchorage depth for all approved building materials.
- Countersunk fixation element for the avoidance of anchor markings.
- No special tool required.
- Fast and secure mounting in all current wall building materials (building material categories A, B, C, D, E and suitable for wood and board building materials during the disassembly of expansion area).
- Virtually closed expansion area prevents drill dust from penetrating.
- Complete fixation set, PS washer as an accessory.

APPLICATIONS

- Heat-insulation combination insulating material boards

FUNCTIONING

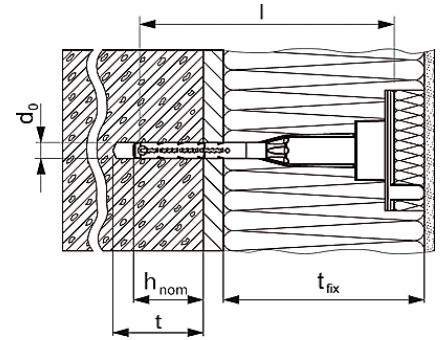
- The Termoz 8 SV consists of a high-quality plastic anchor sleeve \varnothing 8 mm, with plate \varnothing 60 mm and pre-assembled expansion element.
- Turn in plate element until the visual setting depth marking has penetrated fully into the insulation material, drive T30.
- The installation process is concluded by the relevant insulation material washer being fitted into the cavity flush to the surface.



TECHNICAL DATA



Termoz hidden fixing 8 SV



Article name	Art.-No.	Approval	Drill hole diameter d_0 [mm]	Min. drill hole depth h_1 [mm]	Effect. anchoring depth h_{ef} [mm]	Min. embedment depth $h_{nom} (h_v)$ [mm]
Termoz 8 SV 130	046174	■	8	45	35	
Termoz 8 SV 150	046175	■	8	45	35	
Termoz 8 SV 170	046176	■	8	45	35	
Termoz 8 SV 190	046178	■	8	45	35	
Termoz 8 SV 210	046179	■	8	45	35	
Termoz 8 SV 230	046180	■	8	45	35	
Termoz 8 SV 250	046181	■	8	45	35	