

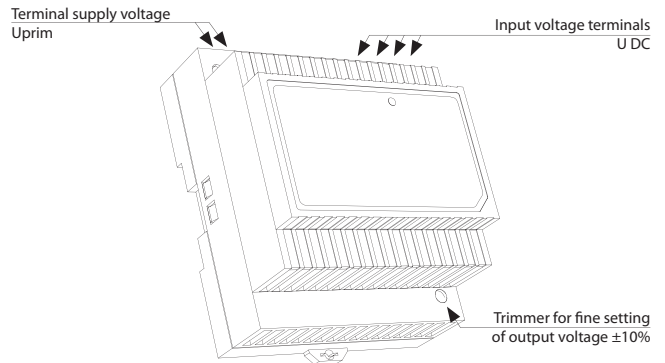


EAN code
DR-60-12V: 8595188125048
DR-60-24V: 8595188125055

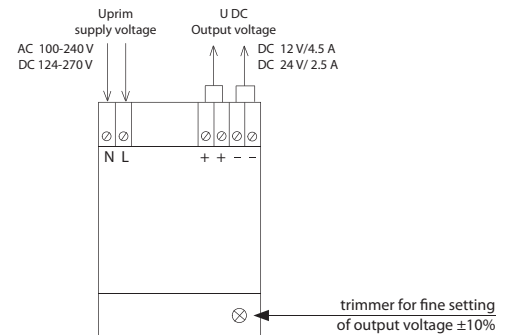
Technical parameters	DR-60-12	DR-60-24
Input (U prim)		
Voltage range:	100 - 240 V AC	
Consumption without load (max):	3 VA	
Consumption with full load (max):	AC 65 VA	AC 70 VA
Output (U sec)		
Output voltage:	12 V $\pm 10\%$	24 V $\pm 10\%$
Max. load:	4.5 A / 54 W	2.5 A / 60 W
Output voltage-no load DC:	12 V $\pm 10\%$	24 V $\pm 10\%$
Wave of output voltage:	0.12 V	0.15 V
Efficiency:	83.5 %	86 %
Tolerance of output voltage:	$\pm 1\%$	
Electronic fuse:	electronic protections short-circuit, over load, over voltage	
Fine adjustment of output voltage:	$\pm 10\%$ - rotary potentiometer	
Overload protection:	to 105 - 160 % of rated output	
Time delay after connection:	100 ms for 100 % loading and AC 230 V	
Other information		
Working humidity:	20 - 90 % RH	
Thermal coefficient:	0.03 % / °C (0 to 50 °C) (0.03 % / °F (32 °F to 122 °F))	
Operating temperature:	-20 °C to +60 °C (-4 °F to 140 °F)	
Storage temperature:	-40 °C to +85 °C (-40 °F to 185 °F) / (10 - 95 % RH)	
Electrical strength (prim/sec):	3 kV	
Protection degree:	IP20 device / IP40 in-built in distribution board	
Max. cable size (mm ²):	solid wire max. 1x 2.5 or 2x 1.5 / with sleeve max. 1x 1.5 (AWG 10)	
Dimensions:	78 x 93 x 56 mm (3.1" x 3.7" x 2.2")	
Weight:	300 g (10.6 oz.)	
Standards:	EN 61010-1, EN 61558-1, EN 61558-2-17	

- Stabilized switching power supply.
- Input voltage (Uprim) in a wide range 100 - 240 V AC.
- **DR-60-12:** power supply with fixed output voltage DC 12 V, stabilized 54 W.
- **DR-60-24:** power supply with fixed output voltage DC 24 V, stabilized 60 W.
- Max. load 12 V-4.5 A, 24 V-2.5 A.
- Electronic protection of short-circuit, over-loading, over-voltage, fine setting of output voltage by trimmer in a range $\pm 10\%$.
- LED power indicator light, viewable from the front panel.
- Ambient air cooled through the perforated housing.
- 4.5-MODULE, DIN rail mounting, isolation class II.

Description



Connection



Symbol

