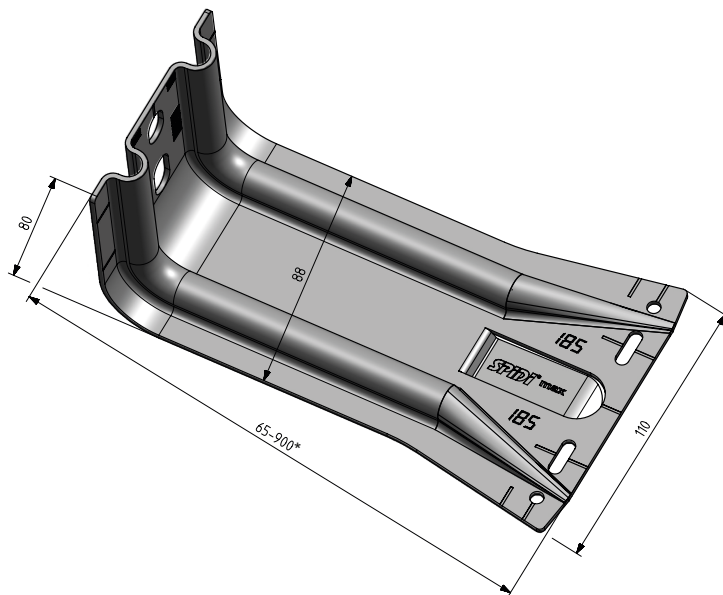




## TECHNICAL DATA SHEET

### SPIDI® max

Material Spidi max	<p>ALU: Band Almg 2,5/H12, WNr.: EN AW-5052 according to DIN EN 573-3, tolerances according to DIN EN 485-3</p> <p>STEEL: Band S250GD+ZA255-A-C, WNr. 1.0242, according to DIN EN 10346, Tol. according to DIN EN 10143 + KTL black</p> <p>STAINLESS STEEL: Band V4A, WNr. 1.4404, according to DIN EN 10088-2, Tol. according to DIN EN ISO 9445</p>
Elastic modulus	<p>ALU: 70.000 n/mm<sup>2</sup></p> <p>STEEL: 210.000 n/mm<sup>2</sup></p> <p>STAINLESS STEEL: 200.000n/mm<sup>2</sup></p>
Reaction to fire	Non-flammable according to DIN EN 4102-2
Function	<p>Wall bracket</p> <p>Bracket for suspended ceiling</p> <p>Bracket for fixed point</p> <p>Bracket for sliding point</p>
Mounting direction	<p>vertically</p> <p>horizontally</p>



\*Stainless steel: 65 - 600 mm

Please note: Product must be inspected for suitability by installation personnel prior to installation. Our technicians must be consulted prior to installation (mandatory) to ensure product is installed correctly and accurately. Product is subject to changes in line with advances in technology. Misprints and errors excepted. Our Terms and Conditions (available at [www.slavonia.com](http://www.slavonia.com)) apply. © Slavonia Baubedarf GmbH